

THIS DRAWING IS UNPUBLISHED.

RELEASED FOR PUBLICATION

ALL RIGHTS RESERVED.

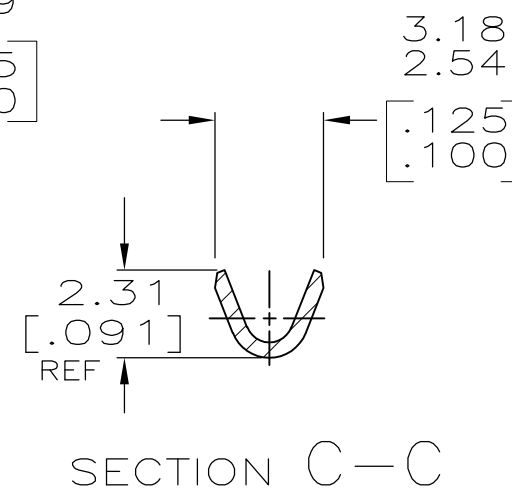
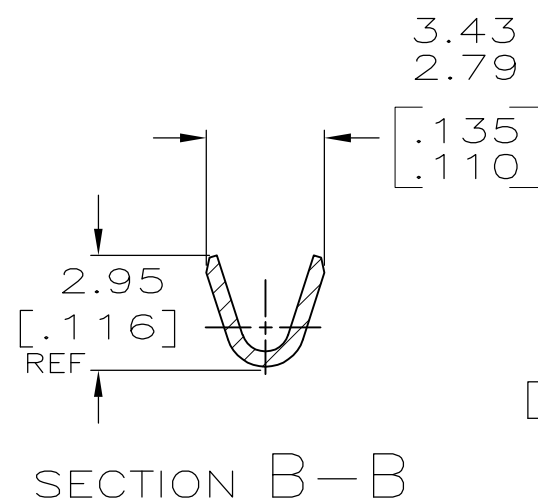
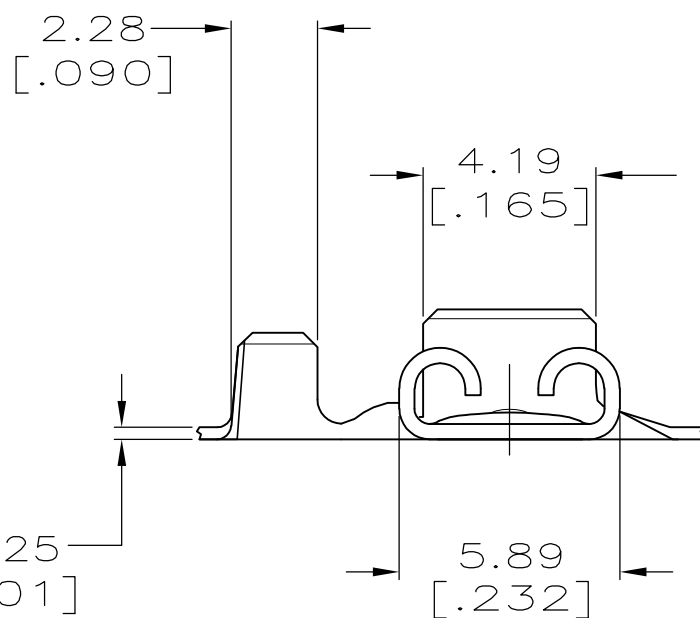
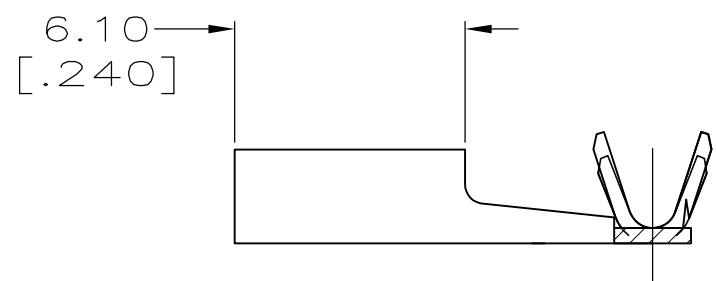
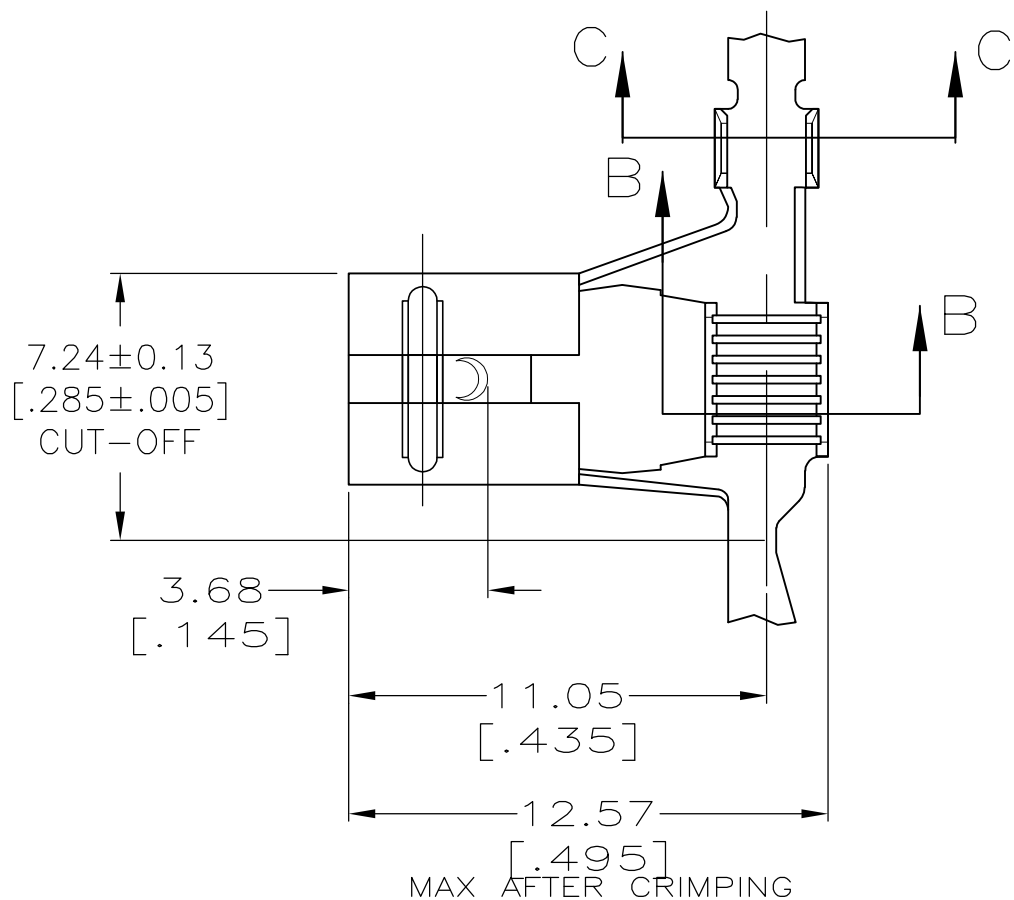
© COPYRIGHT - By -

LOC
AF

DIST
50


REVISIONS

P	LTR	DESCRIPTION	DATE	DWN	APVD
J		REVISE PER ECR-13-003819	06AUG13	GRZ	DZ



- 1 CONTINUOUS STRIP ON REELS.
- 2 ACCEPTS MAGNET WIRE RANGES 1200-2350 CMA.
- 3 MATING TAB THK TO BE 0.51±0.025 [.020±.001].

63941-1
PART NO.

THIS DRAWING IS A CONTROLLED DOCUMENT.		DWN JR RUTH 9/30/96	 TE Connectivity RECEPTACLE, FASTON, FLAG, AMPLIVAR, 4.75 [.187] SERIES											
DIMENSIONS: mm		CHK MS FEHER 9/30/96												
TOLERANCES UNLESS OTHERWISE SPECIFIED:		APVD P DESANTIS 9/30/96												
<table border="0"> <tr><td>0 PLC</td><td>± -</td></tr> <tr><td>1 PLC</td><td>± -</td></tr> <tr><td>2 PLC</td><td>± 0.25 [.010]</td></tr> <tr><td>3 PLC</td><td>± -</td></tr> <tr><td>4 PLC</td><td>± -</td></tr> <tr><td>ANGLES</td><td>± -</td></tr> </table>		0 PLC				± -	1 PLC	± -	2 PLC	± 0.25 [.010]	3 PLC	± -	4 PLC	± -
0 PLC	± -													
1 PLC	± -													
2 PLC	± 0.25 [.010]													
3 PLC	± -													
4 PLC	± -													
ANGLES	± -													
MATERIAL BRASS		FINISH TIN PLATE	PRODUCT SPEC -	APPLICATION SPEC -	RESTRICTED TO -									
CUSTOMER DRAWING			SIZE A3	CAGE CODE 00779	DRAWING NO C-63941									
SCALE 5:1			SHEET 1 OF 1	REV J										